

Richard|Solo®

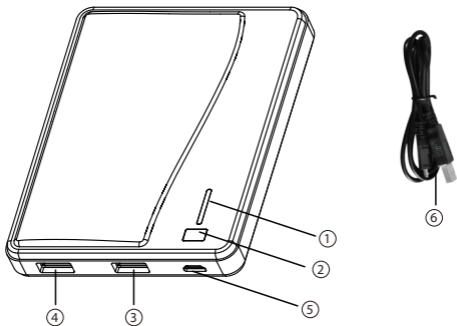
# Super Power Bank

USER MANUAL

## Welcome

Thank you for purchasing the Super Power Bank. Please read this manual carefully before operation and save these instructions for future reference.

## Product Layout



- (1) LED Indicator
- (2) Button
- (3) USB Output Port 1 (1A)
- (4) USB Output Port 2 (2.1A)
- (5) Micro USB Input Port
- (6) Micro USB Cable

## Specifications

Product name: Super Power Bank

Cell Type: Li-polymer battery

Capacity: 6600 mAh

Input: DC 5V, 1A max

Port 1 Output: DC 5.0V 1A

Port 2 Output: DC 5.0V 2.1A

## USB compatibility

Port 1: iPhone/iPod, smartphones, MP3 players

Port 2: iPad + iPhone/iPod, smartphones, MP3 players

## Charging the Super Power Bank

Connect the included USB/micro-USB cable to charge the Super Power Bank from the USB port on your computer or from a USB compatible wall charger. Each LED flashes and remains solid as its corresponding capacity has been reached. All LEDs remain solid when the unit is fully charged.

## Charging your device

Connect the USB cable included with your device to either Port 1 or Port 2 and press the Super Power Bank button to begin charging. Please note to use Port 2 for iPad and other devices requiring a 2.1A connection. When no connection is detected for 30 seconds, the Super Power Bank shuts off automatically.

## Checking remaining charge capacity

Press the power button to check charge capacity for your Super Power Bank.

1 LED flashing = less than 20%; 1 LED solid = 20-40%;

2 LEDs = 40-60%; 3 LEDs = 60-80%; 4 LEDs = 80-100%

## Maintenance

- 1) Do not store in a depleted state as the battery power cells can be damaged. Charge your Super Power Bank at least once every 3 months when not in use.
- 2) Keep the unit dry. Avoid damp conditions and corrosive materials.
- 3) Do not clean with harsh chemicals, soaps or detergents.

## Package Contents

- Super Power Bank 6600 mAh Li-polymer battery
- USB/micro-USB charge cable
- User manual

## Warning

Read all instructions and warnings prior to using this product. Failure to read and follow these safety instructions could result in fire, explosion, electrical shock or other hazard causing serious and/or fatal injury and/or property damage.

- 1) Do not modify, disassemble, open, drop, crush, puncture or shred this product
- 2) Do not expose this product to rain or water
- 3) Keep away from open flame or sunlight to prevent heat build-up
- 4) Keep away from high voltage devices
- 5) This product is not a toy — keep away from children